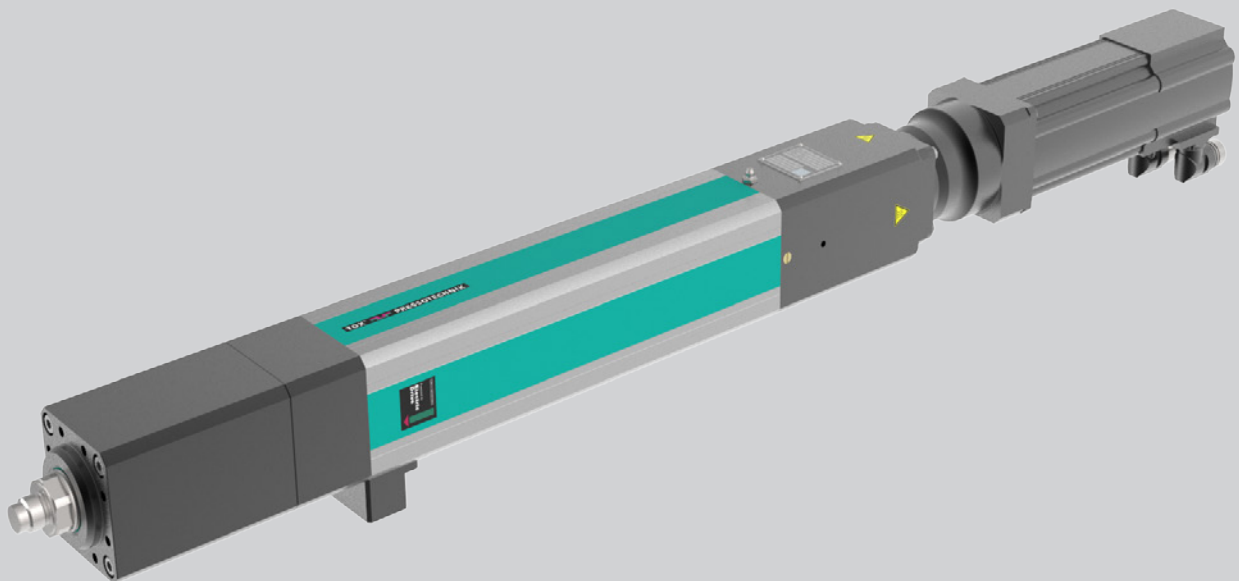


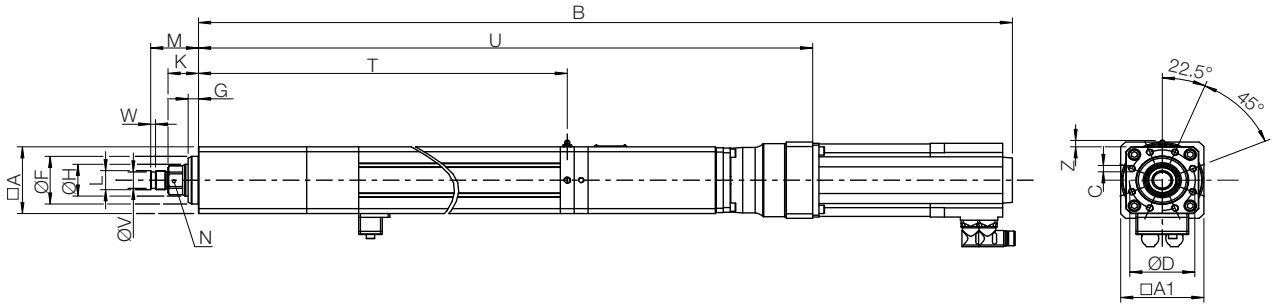
TOX®-ElectricDrive Type EX-F

Data sheet 40.60
2019/10



TOX[®]-ElectricDrive servo drive

Type EX-F, 5 – 100 kN with planetary roller screw



Dimensions and weights

Preferred series (short delivery time)

Type	Stroke length mm	Max. nominal force kN	Weight kg
EX-F 005.XXX.150	150	5	22
EX-F 005.XXX.300	300	5	24
EX-F 010.XXX.150	150	10	37
EX-F 010.XXX.300	300	10	39
EX-F 030.XXX.150	150	30	66
EX-F 030.XXX.300	300	30	70
EX-F 060.XXX.150	150	60	114
EX-F 060.XXX.300	300	60	119
EX-F 100.XXX.150	150	100	170
EX-F 100.XXX.300	300	100	179

Type	A	A1	B	C	D	F ₇	G	H	K ¹⁾	L	M ¹⁾	N	T	U	V _{g6}	W	Z
EX-F 005.XXX.150	70	90	883	8x M6x12	60	50	10	30	28	M12x1.5	40	27	497	620	–	–	10
EX-F 005.XXX.300	70	90	1033	8x M6x12	60	50	10	30	28	M12x1.5	40	27	647	770	–	–	10
EX-F 010.XXX.150	90	90	1120	8x M8x16	80	65	10	40	26	M22x2	46	36	585	858	18	7	10
EX-F 010.XXX.300	90	90	1270	8x M8x16	80	65	10	40	26	M22x2	46	36	735	1008	18	7	10
EX-F 030.XXX.150	105	120	1284	8x M10x20	95	75	15	50	44	M30x2	69	41	662	1016	26	7	10
EX-F 030.XXX.300	105	120	1434	8x M10x20	95	75	15	50	44	M30x2	69	41	812	1166	26	7	10
EX-F 060.XXX.150	130	150	1422	8x M12x24	115	90	17	60	42	M30x2	67	55	702	1140	26	7	10
EX-F 060.XXX.300	130	150	1572	8x M12x24	115	90	17	60	42	M30x2	67	55	852	1290	26	7	10
EX-F 100.XXX.150	160	150	1562	8x M16x32	135	105	17	75	42	M39x2	77	65	789	1240	–	–	10
EX-F 100.XXX.300	160	150	1712	8x M16x32	135	105	17	75	42	M39x2	77	65	939	1390	–	–	10

Dimensions in mm

Specifications EX-F	005	010	030	060	100
Mechanical					
Nominal pressing force	5 kN	10 kN	30 kN	60 kN	100 kN
Nominal pulling force	3 kN	3 kN	8 kN	17 kN	30 kN
Max. speed ²⁾	800 mm/s	550 mm/s	500 mm/s	350 mm/s	300 mm/s
Repeatability ³⁾	± 0.01 mm				
Max. tool weight without brake ⁶⁾	5 kg	10 kg	15 kg	25 kg	35 kg
with motor holding brake ⁷⁾	25 kg	125 kg	250 kg	500 kg	600 kg
Sensors					
Measuring range force transducer ⁴⁾	0.25 – 5 kN	0.5 – 10 kN	1.5 – 30 kN	3 – 60 kN	5 – 100 kN
Accuracy	≤ ± 0.5 % of nominal pressing force				
Resolver	■	■	■	■	■
Resolution (theoretically)	0.00593 mm	0.00370 mm	0.00370 mm	0.00296 mm	0.00296 mm
Electrical					
Protection class ⁵⁾	IP 54				
Mains supply	see servo controller				
Climatic conditions	+ 10° to + 40° C, from 40° C performance loss, max. 55° C; air moisture < 75 %, without condensation				

¹⁾ Dimension refers to zero position of drive. Reference position = zero position - 3 mm.

²⁾ Special versions on request

³⁾ In thermal transient condition

⁴⁾ Recommended operating range 5 – 100 %

⁵⁾ Optional: Protection class IP 65

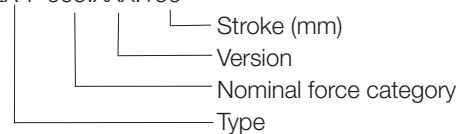
⁶⁾ For higher weights, the tool can sink in de-energized condition

⁷⁾ Higher tool weights on request

A wide range of accessories is available for the servo drive type EX-F (see data sheet 40.90, TOX® -ElectricDrive Accessories).

Ordering example

EX-F 005.XXX.150



Version

003 Basic version

006 Motor holding brake

007 Includes holding time at nominal pressing force min. 10s

053 Includes protection class IP65

302 Includes working piston with threaded holes on face side

Further variants on request!